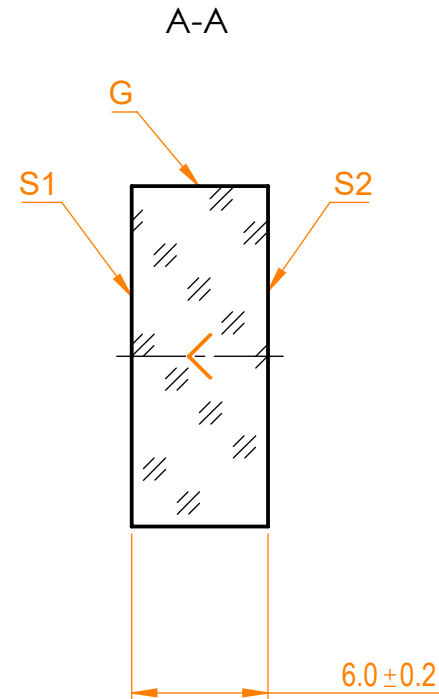
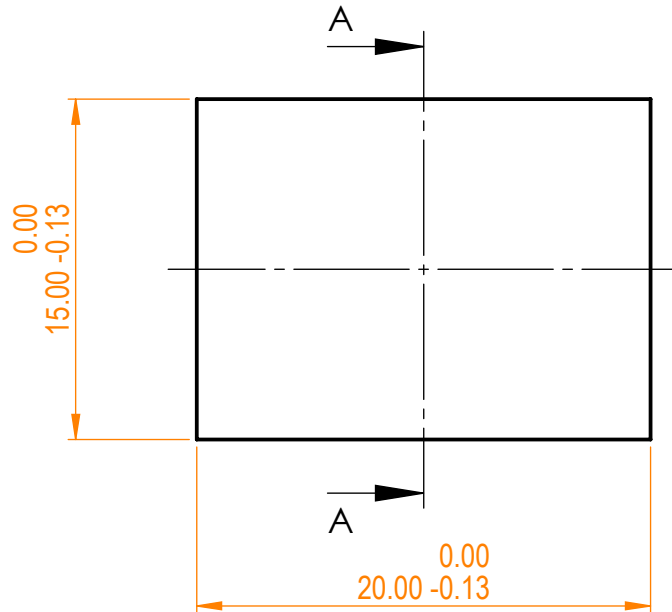


NOTES:


1. Material: UVFS;
2. G - Fine ground surface;
3. All dimensions are in mm;
4. Wedge: <3 min;
5. Protective chamfers: 0.3 mm x 45°;
6. Group delay dispersion: <math><|5fs^2|</math>;
7. Laser Induced Damage Threshold: > 0.25 J/cm² at @800nm, 100Hz, 100fsec pulses;



Isometric view 1:1



Specifications are subject to change without notice
Dimensions are for reference only

Parameters			 info@eksmaoptics.com www.eksmaoptics.com		UVFS pl mirror, (15x20) mm, T=6 mm				
	S1	S2			Name	Date	Part number	Rev.	Scale
Shape	Plano	Plano	Proprietary	Approved	A.K.	2020.09.14	091-3325F	A	3:1
Radius of curvature	Infinity	Infinity							
Surface flatness	$\lambda/10$ @633nm	λ @633nm	The information in this drawing is property of EKSMA Optics. Any reproduction in part or as a whole without the written permission of EKSMA Optics is prohibited.	Drawn	V.S.	2020.09.14			
Surface quality	40-20 s/d	80-50 s/d							
Clear aperture	>90%	>90%							
Coating	Enhanced silver R>98.5% @600-1100nm, R>99% @700-900nm	Uncoated							